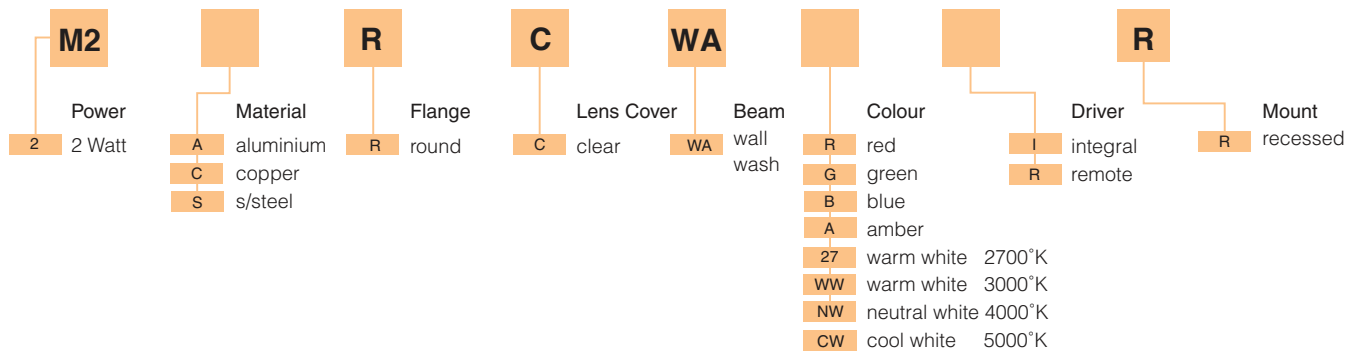
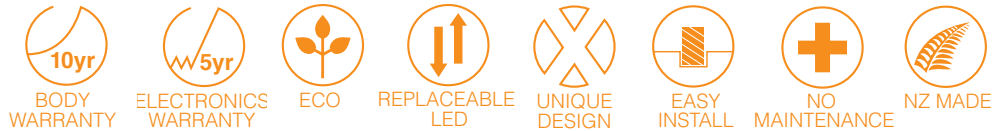




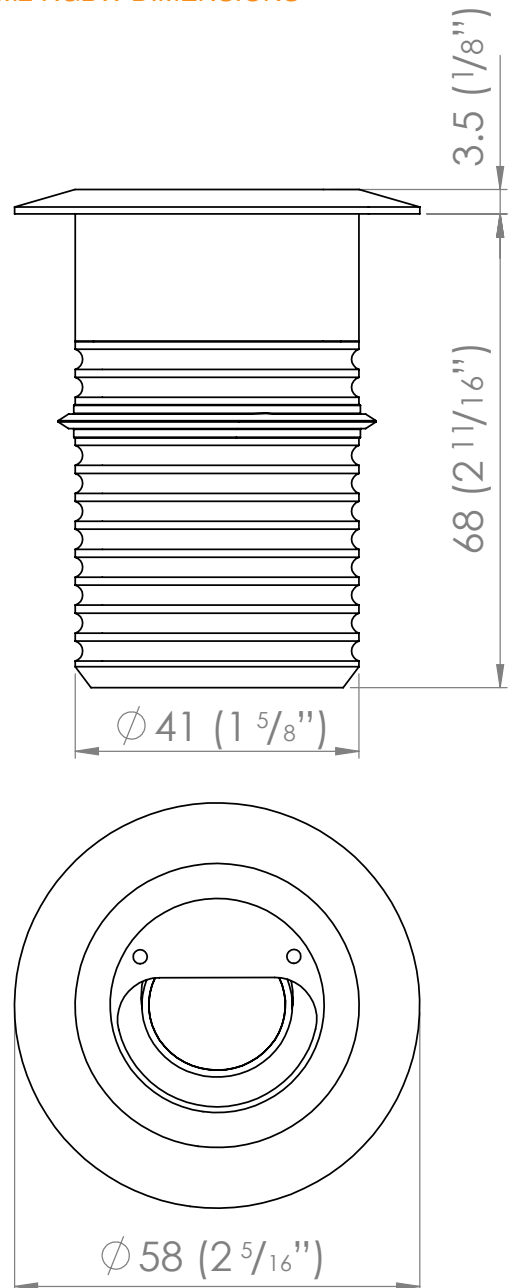
CONFIGURE THIS PRODUCT



SPECIFICATIONS

Power	2 Watt @ 750mA , 3 Watt @ 1050mA
Ingress Protection Rating	IP68
Cable	H05RN - F 1m included
Material	Black Powdercoated Aluminium Natural Copper 316L Stainless Steel
Flange	Round
Lens Cover	Clear Glass
Removable Light Engine	Pin mounted Cree LED
Colours	Warm White 2700°K Warm White 3000°K Neutral White 4000°K Cool White 5000°K Red, Green, Blue, Amber
CRI	Ra 82 (3000°K)
Efficacy	65 lm/W
Optic	Wall Wash asymmetric TIR
Input	700mA (1050mA for white LEDs max allowable)
Warranty	Electronics Warranty 5 years Body Warranty 10 years
LEDshield	LED Bypass Shunt
Driver	Integral or remote

M2 RGBW DIMENSIONS

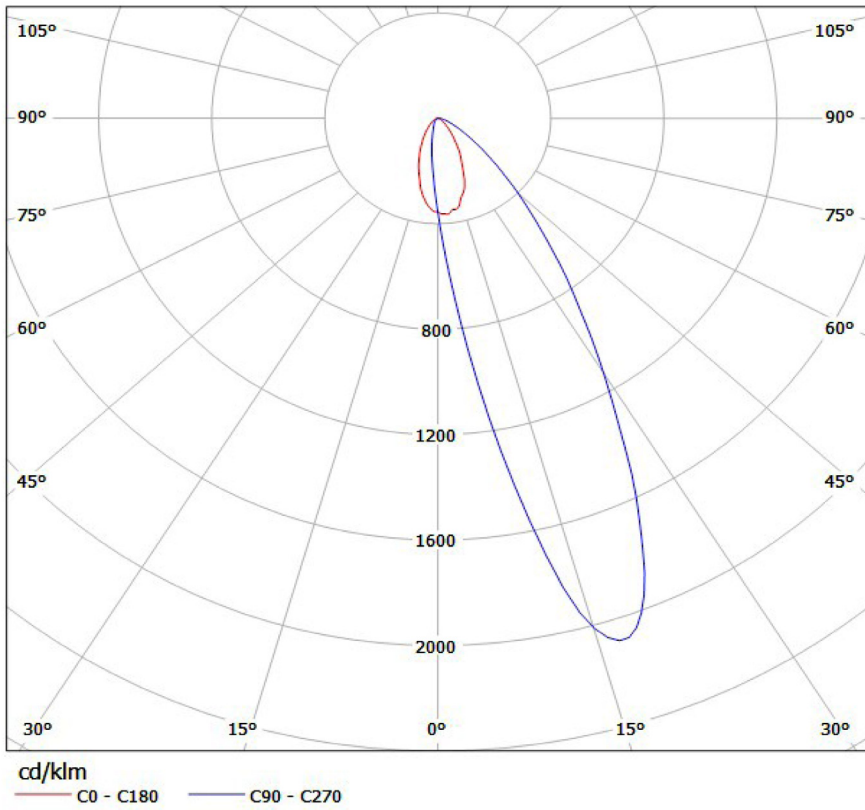


The Modux-2 wall washer has a truly unique optic that orients and feathers its asymmetric light distribution in a perfect wash. No light is emitted beyond 90° meaning virtually no glare in most installations.

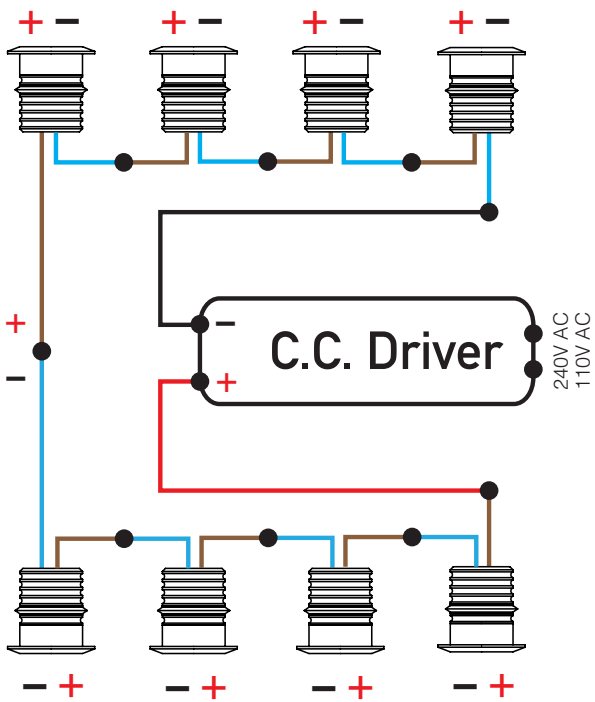
Particularly suited to washing walls, paths, and steps. Available as a recessed round flange in Black Anodised Aluminium, 316 Stainless Steel and Natural Copper.



POLAR PLOT



SERIES INSTALLATION



PARALLEL INSTALLATION

